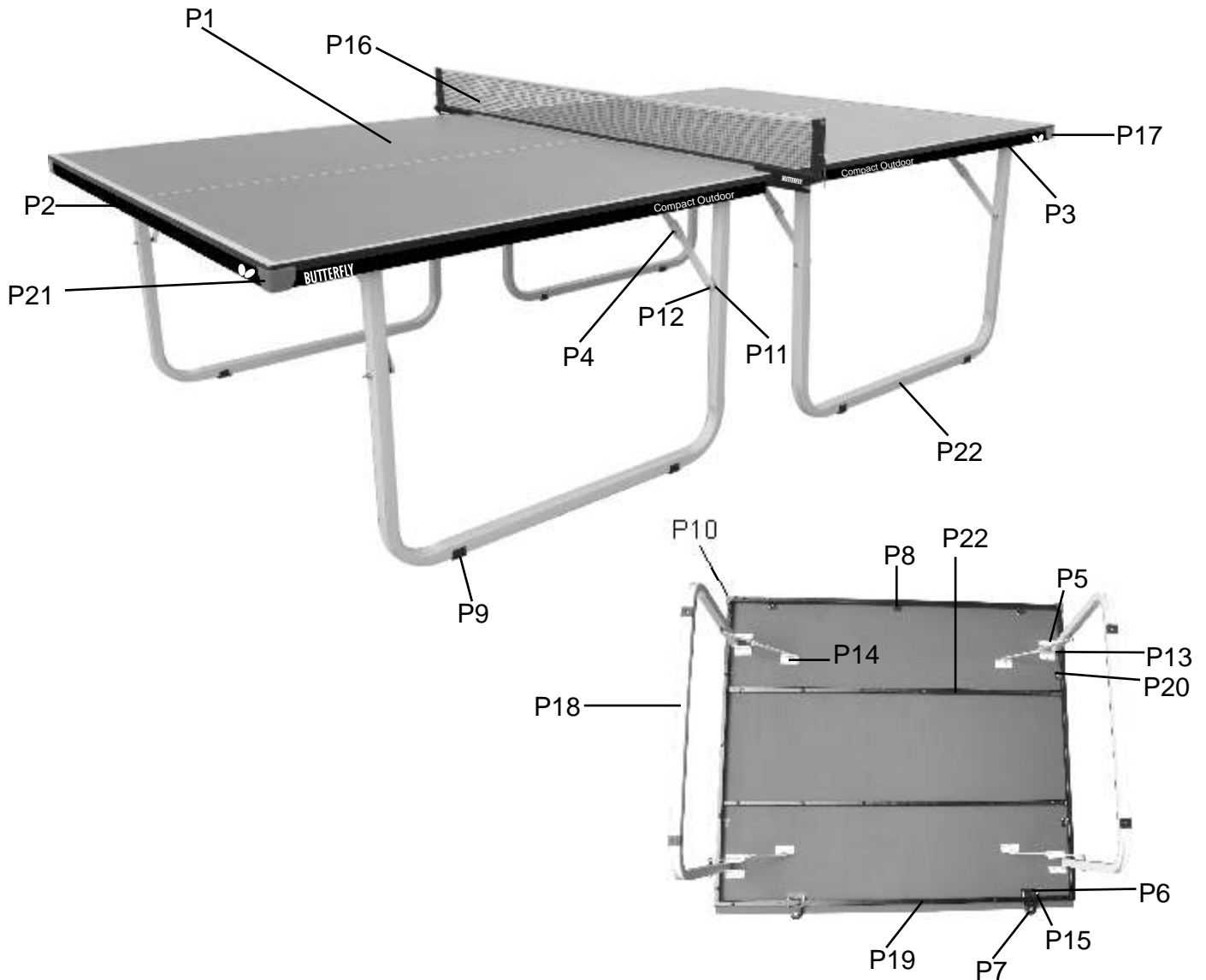


# BUTTERFLY

## Compact Outdoor Table Tennis Table



# PART LIST



- P 1. TABLE TOP WEATHERPROOF - 1525x1370x12 MM - 2 NOS.
- P 2. END FRAME PIPE & INNER FRAME PIPE - 1490x29x19MM - 4 NOS.
- P 3. SIDE FRAME PIPE - 1310x29x19MM - 4 NOS.
- P 4. HINGES TO CLOSE & OPEN LEGS - 360x19x4MM - 8 NOS.
- P 5. BRACKET TO ATTACH LEGS WITH TABLE TOP - 78x31MM - 24 NOS.
- P 6. BRACKET TO ATTACH WHEEL CLIP WITH TABLE TOP - 100x18MM - 4 NOS.
- P 7. WHEELS - 50MM - 4 NOS.
- P 8. BRACKET TO ATTACH FRAME PIPE & BACK SUPPORT PIPE - 38x38MM - 32 NOS.
- P 9. PLASTIC CAP FOR LEGS - 19MMSQ - 8 NOS.
- P 10. PLASTIC L-CORNER TO ATTACH SIDE FRAME WITH INNER FRAME - 29x19MM - 4 NOS.
- P 11. PLASTIC SPACER B/W LEGS & HINGES - 18MM - 8 NOS.
- P 12. MACHINE SCREW TO ATTACH HINGES WITH LEGS - 50x6MM - 8 NOS.
- P 13. MACHINE SCREW TO ATTACH LEGS WITH BRACKET - 42x6MM - 8 NOS.
- P 14. MACHINE SCREW TO ATTACH LEGS WITH BRACKET & HINGES - 19x6MM - 8 NOS.
- P 15. NUT, BOLT & WASHER TO ATTACH WHEELS WITH INNER FRAME PIPE - 38x6MM - 8 NOS.
- P 16. NET & POST - 1 SET
- P 17. OUTER CORNER -40x40MM - 4 NOS.
- P 18. LEGS - 32MMSQ.
- P 19. SCREW - 6x95 - 44 NOS.
- P 20. SCREW - 6x95 - 362 NOS.
- P 21. SCREW - 6x13 - 12 NOS.
- P 22. BACK SUPPORT PIPE - 1485x19MMSQ - 4 NOS.